

Date tehnice pentru produs: IKA21320--

# Clemă Al-Cu, 1 p. albastru, 50mmp / 35mmp cu pin

for copper conductors according to IEC 60947-7-1 and UL 1059, CSA-C22.2 No. 158, for aluminum conductors according to IEC 61238-1 and UL 1059, CSA-C22.2 No. 158, note maintenance instructions



## Schrack Info

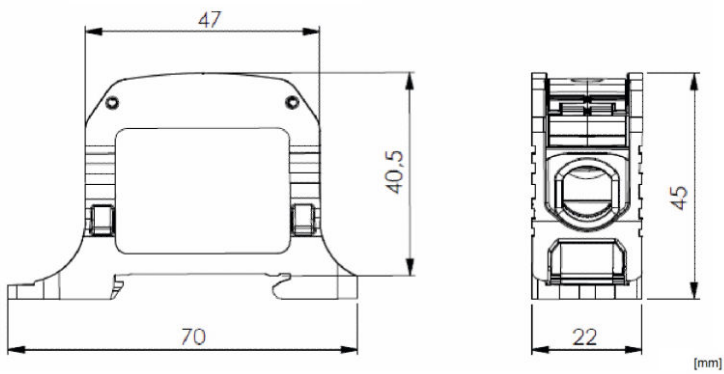
- Distribution block for connecting Al and Cu conductors
- 50mm<sup>2</sup> up to 300mm<sup>2</sup> models available
- When using aluminium conductors the common practices for installation must be observed
- Adjust the contact clamps after 6-8 weeks
- Aluminum-terminals for solid round conductors (RE), multi-wire conductors (RM), fine-stranded conductors with end ferrules and also sector conductors (SE and SM)

## Fișe tehnice

|                                            |               |
|--------------------------------------------|---------------|
| Adâncime netă (mm)                         | 43,00         |
| Lățime netă (mm)                           | 20,00         |
| Înălțime (mm)                              | 70,00         |
| Masă netă (kg.)                            | 0,04          |
| COD EAN                                    | 9004840594669 |
| disipare (W)                               | 1,40          |
| Temperatura minimă a mediului ambiant (°C) | -25           |
| Temperatura maximă a mediului ambiant (°C) | 80            |
| Descriere de bază                          | Clemă         |

## Tabel de date: Clemă Al-Cu, 1 p. albastru, 50mmp / 35mmp cu pin

|                          |                                                                               |                              |             |
|--------------------------|-------------------------------------------------------------------------------|------------------------------|-------------|
| Vorschriften:            | Zulassung nach IEC 60947-7-1, IEC 61238-1 (Klasse A)                          |                              |             |
| Nennspannung:            | 1.000VAC/1.000VDC                                                             |                              |             |
| Strombelastbarkeit:      | 150A (2x50mm <sup>2</sup> ) nach IEC 60947-7-1<br>Geprüft durch SGS Fimko Ltd |                              |             |
| Bemessungsquerschnitt:   | 50mm <sup>2</sup>                                                             |                              |             |
| Stoßspannungsfestigkeit: | 8kV                                                                           |                              |             |
| Verschmutzungsgrad:      | 3                                                                             |                              |             |
| Überspannungskategorie:  | III                                                                           |                              |             |
| CTI Wert:                | 550                                                                           |                              |             |
| Anschlussquerschnitte:   | Anzahl Anschlüsse: 2x50mm <sup>2</sup> (Rund&Sektorleiter)                    |                              |             |
|                          | IEC 60947-7-1                                                                 |                              | IEC 61238-1 |
|                          | Cu                                                                            |                              | Al          |
|                          | Mehrdrähtig                                                                   | Feindrähtig mit Aderendhülse | Mehrdrähtig |
| 50mm <sup>2</sup>        | 10Nm                                                                          | /                            | 14Nm        |
| 35mm <sup>2</sup>        |                                                                               | 10Nm                         |             |
| 25mm <sup>2</sup>        | 8Nm                                                                           | 8Nm                          | 12Nm        |
| 16mm <sup>2</sup>        |                                                                               |                              | 10Nm        |
| 10mm <sup>2</sup>        | 6Nm                                                                           | 6Nm                          | /           |
| 6mm <sup>2</sup>         |                                                                               |                              |             |
| 4mm <sup>2</sup>         | /                                                                             |                              |             |
| Abisolierlänge           | 16mm                                                                          |                              |             |
| Innensechskant           | M10 (SW 5mm)                                                                  |                              |             |
| Werkstoffe:              | Klemmkörper:                                                                  | Aluminium                    | verzinkt    |
|                          | Gehäuse:                                                                      | PA 6 (Halogenfrei)           |             |
|                          | Schrauben:                                                                    | Stahl                        | verzinkt    |
| Flammwidrigkeit:         | Selbstverlöschend                                                             |                              |             |
| Ausführung               | Fingersicher IP 20                                                            |                              |             |

**Desen dimensional: Clemă Al-Cu, 1 p. albastru, 50mmp / 35mmp cu pin**

## Tabel articole

| Descriere                                                                                                                                                                                                                                                       | Cod comandă |
|-----------------------------------------------------------------------------------------------------------------------------------------------------------------------------------------------------------------------------------------------------------------|-------------|
| Clemă Al-Cu, 1 p. albastru, 50mmp / 35mmp cu pin<br>for copper conductors according to IEC 60947-7-1 and UL 1059, CSA-C22.2 No. 158, for aluminum conductors according to IEC IKA21320<br>61238-1 and UL 1059, CSA-C22.2 No. 158, note maintenance instructions |             |
| <b>Accesorii necesare</b>                                                                                                                                                                                                                                       |             |
| Vaselină de contacte, protecție acid pt cond. de Al tub 200g<br>200g tub de vaselină de potasiu DIN 51825 K 2 C-40, de ex. pentru acoperirea aluminiului                                                                                                        | IKAP0200    |