

Date tehnice pentru produs: IKA21340--

Clemă Al-Cu, 1 p. maro, 50mmp / 35mmp cu pin

for copper conductors according to IEC 60947-7-1 and UL 1059, CSA-C22.2 No. 158, for aluminum conductors according to IEC 61238-1 and UL 1059, CSA-C22.2 No. 158, note maintenance instructions



Schrack Info

- Distribution block for connecting Al and Cu conductors
- 50mm² up to 300mm² models available
- When using aluminium conductors the common practices for installation must be observed
- Adjust the contact clamps after 6-8 weeks
- Aluminum-terminals for solid round conductors (RE), multi-wire conductors (RM), fine-stranded conductors with end ferrules and also sector conductors (SE and SM)

Fișe tehnice

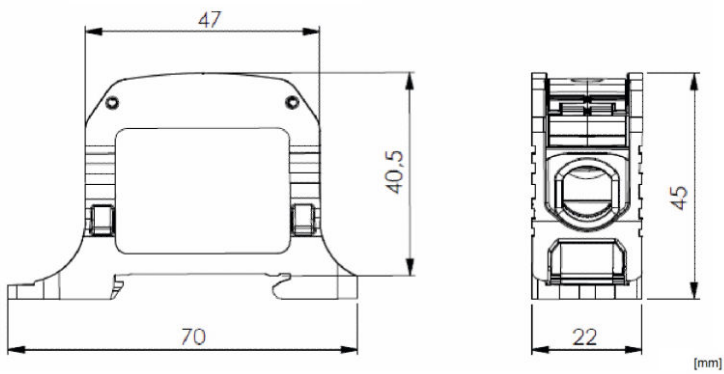
Adâncime netă (mm)	40,50
Lățime netă (mm)	20,00
Masă netă (kg.)	0,03
COD EAN	9004840594683
disipare (W)	1,40
Temperatura minimă a mediului ambiant (°C)	-25

Fișe tehnice - Continuare

Temperatura maximă a mediului ambiant (°C)	80
Descriere de bază	Clemă

Tabel de date: Clemă Al-Cu, 1 p. maro, 50mm² / 35mm² cu pin

Vorschriften:	Zulassung nach IEC 60947-7-1, IEC 61238-1 (Klasse A)		
Nennspannung:	1.000VAC/1.000VDC		
Strombelastbarkeit:	150A (2x50mm ²) nach IEC 60947-7-1 Geprüft durch SGS Fimko Ltd		
Bemessungsquerschnitt:	50mm ²		
Stoßspannungsfestigkeit:	8kV		
Verschmutzungsgrad:	3		
Überspannungskategorie:	III		
CTI Wert:	550		
Anschlussquerschnitte:	Anzahl Anschlüsse: 2x50mm ² (Rund&Sektorleiter)		
		IEC 60947-7-1	IEC 61238-1
	Cu		Al
	Mehrdrähtig	Feindrähtig mit Aderendhülse	Mehrdrähtig
50mm ²	10Nm	/	14Nm
35mm ²		10Nm	
25mm ²	8Nm	8Nm	12Nm
16mm ²			10Nm
10mm ²	6Nm	6Nm	/
6mm ²			
4mm ²	/		
Abisolierlänge	16mm		
Innensechskant	M10 (SW 5mm)		
Werkstoffe:	Klemmkörper:	Aluminium	verzinkt
	Gehäuse:	PA 6 (Halogenfrei)	
	Schrauben:	Stahl	verzinkt
Flammwidrigkeit:	Selbstverlöschend		
Ausführung	Fingersicher IP 20		

Desen dimensional: Clemă Al-Cu, 1 p. maro, 50mmp / 35mmp cu pin

Tabel articole

Descriere	Cod comandă
Clemă Al-Cu, 1 p. maro, 50mm / 35mm cu pin for copper conductors according to IEC 60947-7-1 and UL 1059, CSA-C22.2 No. 158, for aluminum conductors according to IEC IKA21340 61238-1 and UL 1059, CSA-C22.2 No. 158, note maintenance instructions	
Accesorii necesare	
Vaselină de contacte, protecție acid pt cond. de Al tub 200g 200g tub de vaselină de potasiu DIN 51825 K 2 C-40, de ex. pentru acoperirea aluminiului	IKAP0200