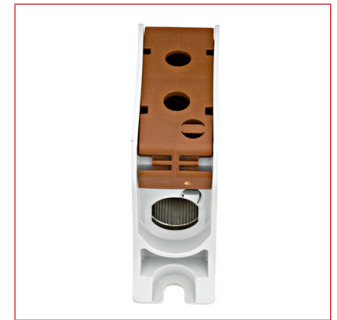


Date tehnice pentru produs: IKA21440--

# Clemă Al-Cu, 1 p. maro, 95mmp / 70mmp cu pin

for copper conductors according to IEC 60947-7-1 and UL 1059, CSA-C22.2 No. 158, for aluminum conductors according to IEC 61238-1 and UL 1059, CSA-C22.2 No. 158, note maintenance instructions



## Schrack Info

- Distribution block for connecting Al and Cu conductors
- 50mm<sup>2</sup> up to 300mm<sup>2</sup> models available
- When using aluminium conductors the common practices for installation must be observed
- Adjust the contact clamps after 6-8 weeks
- Aluminum-terminals for solid round conductors (RE), multi-wire conductors (RM), fine-stranded conductors with end ferrules and also sector conductors (SE and SM)

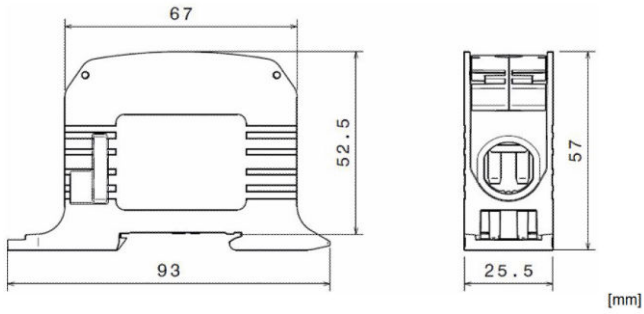
## Fișe tehnice

Adâncime netă (mm)	57,00
Lățime netă (mm)	25,50
Masă netă (kg.)	0,03
COD EAN	9004840594782
disipare (W)	2,30
Temperatura minimă a mediului ambiant (°C)	-25
Temperatura maximă a mediului ambiant (°C)	80
Descriere de bază	Clemă

## Tabel de date: Clemă Al-Cu, 1 p. maro, 95mmp / 70mmp cu pin

Vorschriften:	Zulassung nach IEC 60947-7-7, IEC 61238-1 (Klasse A)			
Nennspannung:	1.000VAC/1.000VDC			
Strombelastbarkeit:	Cu 232A, Al 200A Geprüft durch SGS Fimko Ltd			
Bemessungsquerschnitt:	95mm <sup>2</sup>			
Stoßspannungsfestigkeit:	8kV			
Verschmutzungsgrad:	3			
Überspannungskategorie:	III			
CTI Wert:	550			
Anschlussquerschnitte:	Anzahl Anschlüsse: 2x95mm <sup>2</sup> (Rund&Sektorleiter)			
	IEC 60947-7-1		IEC 61238-1	
	Cu		Al	
		Mehrdrähtig	Feindrähtig mit Aderendhülse	Mehrdrähtig
	95mm <sup>2</sup>	19Nm	/	22,6Nm
	70mm <sup>2</sup>		19Nm	
	50mm <sup>2</sup>	14Nm		
	35mm <sup>2</sup>		14Nm	
	25mm <sup>2</sup>	14Nm		
	16mm <sup>2</sup>		/	
10mm <sup>2</sup>				
Abisolierlänge:	26mm			
Innensechskant:	M14 (SW 6mm)			
Messanschlüsse:	Anzahl Anschlüsse: 2x95mm <sup>2</sup> (Rund&Sektorleiter)			
	10mm <sup>2</sup>	1,2Nm	/	/
	6mm <sup>2</sup>		1,2Nm	
	4mm <sup>2</sup>			
	2,5mm <sup>2</sup>			
	1,5mm <sup>2</sup>			
	Abisolierlänge	10mm		
Schraube	M4 (+/-PZ2)			
Werkstoffe:	Klemmkörper:	Aluminium	verzinkt	
	Gehäuse:	PA 6 (Halogenfrei)		
	Schrauben:	Stahl	verzinkt	
Flammwidrigkeit:	Selbstverlöschend			
Ausführung:	Fingersicher			

**Desen dimensional: Clemă Al-Cu, 1 p. maro, 95mmp / 70mmp cu pin**



## Tabel articole

Descriere	Cod comandă
Clemă Al-Cu, 1 p. maro, 95mm / 70mm cu pin for copper conductors according to IEC 60947-7-1 and UL 1059, CSA-C22.2 No. 158, for aluminum conductors according to IEC IKA21440 61238-1 and UL 1059, CSA-C22.2 No. 158, note maintenance instructions	
<b>Accesorii necesare</b>	
Vaselină de contacte, protecție acid pt cond. de Al tub 200g 200g tub de vaselină de potasiu DIN 51825 K 2 C-40, de ex. pentru acoperirea aluminiului	IKAP0200