

Date tehnice pentru produs: IKA21330--

# Clemă Al-Cu, 1 p. verde, 50mmp / 35mmp cu pin

for copper conductors according to IEC 60947-7-1 and UL 1059, CSA-C22.2 No. 158, for aluminum conductors according to IEC 61238-1 and UL 1059, CSA-C22.2 No. 158, note maintenance instructions



## Schrack Info

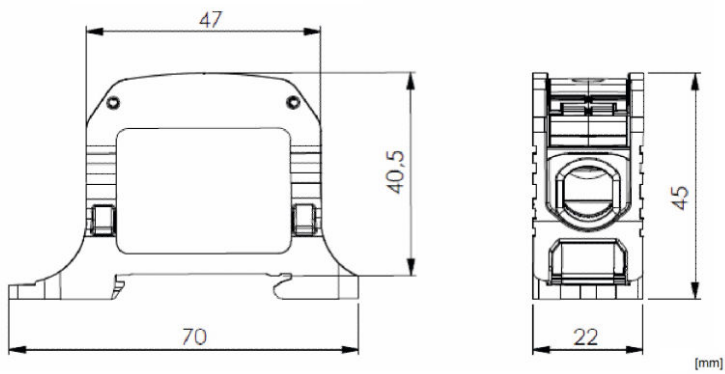
- Distribution block for connecting Al and Cu conductors
- 50mm<sup>2</sup> up to 300mm<sup>2</sup> models available
- When using aluminium conductors the common practices for installation must be observed
- Adjust the contact clamps after 6-8 weeks
- Aluminum-terminals for solid round conductors (RE), multi-wire conductors (RM), fine-stranded conductors with end ferrules and also sector conductors (SE and SM)

## Fișe tehnice

Adâncime netă (mm)	43,00
Lățime netă (mm)	20,00
Înălțime (mm)	70,00
Masă netă (kg.)	0,04
COD EAN	9004840594676
disipare (W)	1,40
Temperatura minimă a mediului ambiant (°C)	-25
Temperatura maximă a mediului ambiant (°C)	80
Descriere de bază	Clemă

## Tabel de date: Clemă Al-Cu, 1 p. verde, 50mmp / 35mmp cu pin

Vorschriften:	Zulassung nach IEC 60947-7-1, IEC 61238-1 (Klasse A)			
Nennspannung:	1.000VAC/1.000VDC			
Strombelastbarkeit:	150A (2x50mm <sup>2</sup> ) nach IEC 60947-7-1 Geprüft durch SGS Fimko Ltd			
Bemessungsquerschnitt:	50mm <sup>2</sup>			
Stoßspannungsfestigkeit:	8kV			
Verschmutzungsgrad:	3			
Überspannungskategorie:	III			
CTI Wert:	550			
Anschlussquerschnitte:	Anzahl Anschlüsse: 2x50mm <sup>2</sup> (Rund&Sektorleiter)			
	IEC 60947-7-1		IEC 61238-1	
	Cu		Al	
		Mehrdrählig	Feindrählig mit Aderendhülse	Mehrdrählig
	50mm <sup>2</sup>	10Nm	/	14Nm
	35mm <sup>2</sup>		10Nm	
	25mm <sup>2</sup>	8Nm	8Nm	12Nm
	16mm <sup>2</sup>			10Nm
	10mm <sup>2</sup>	6Nm	6Nm	
	6mm <sup>2</sup>			/
4mm <sup>2</sup>	/			
Abisolierlänge	16mm			
Innensechskant	M10 (SW 5mm)			
Werkstoffe:	Klemmkörper:	Aluminium	verzinkt	
	Gehäuse:	PA 6 (Halogenfrei)		
	Schrauben:	Stahl	verzinkt	
Flammwidrigkeit:	Selbstverlöschend			
Ausführung	Fingersicher IP 20			

**Desen dimensional: Clemă Al-Cu, 1 p. verde, 50mmp / 35mmp cu pin**

## Tabel articole

Descriere	Cod comandă
Clemă Al-Cu, 1 p. verde, 50mmp / 35mmp cu pin for copper conductors according to IEC 60947-7-1 and UL 1059, CSA-C22.2 No. 158, for aluminum conductors according to IEC IKA21330 61238-1 and UL 1059, CSA-C22.2 No. 158, note maintenance instructions	
<b>Accesorii necesare</b>	
Vaselină de contacte, protecție acid pt cond. de Al tub 200g 200g tub de vaselină de potasiu DIN 51825 K 2 C-40, de ex. pentru acoperirea aluminiului	IKAP0200