

Date tehnice pentru produs: IKA21446--

# Clemă dublă Al-Cu, 1 p. maro, 95mmp / 70mmp cu pin

for copper conductors according to IEC 60947-7-1 and UL 1059, CSA-C22.2 No. 158, for aluminum conductors according to IEC 61238-1 and UL 1059, CSA-C22.2 No. 158, note maintenance instructions



## Schrack Info

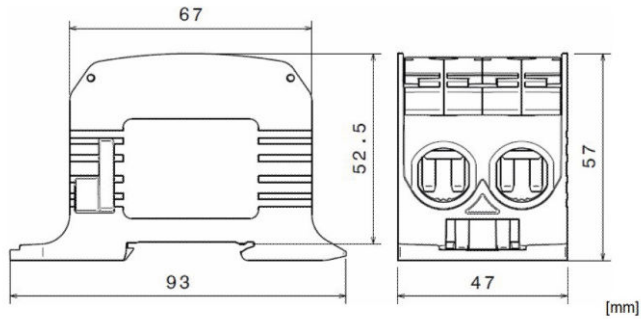
- Distribution block for connecting Al and Cu conductors
- 50mm<sup>2</sup> up to 300mm<sup>2</sup> models available
- When using aluminium conductors the common practices for installation must be observed
- Adjust the contact clamps after 6-8 weeks
- Aluminum-terminals for solid round conductors (RE), multi-wire conductors (RM), fine-stranded conductors with end ferrules and also sector conductors (SE and SM)

## Fișe tehnice

Adâncime netă (mm)	57,00
Lățime netă (mm)	47,00
Masă netă (kg.)	0,03
COD EAN	9004840594836
disipare (W)	2,30
Temperatura minimă a mediului ambiant (°C)	-25
Temperatura maximă a mediului ambiant (°C)	80
Descriere de bază	Clemă

## Tabel de date: Clemă dublă Al-Cu, 1 p. maro, 95mmp / 70mmp cu pin

Vorschriften:	Zulassung nach IEC 60947-7-1, UL1059					
Nennspannung:	1,000VAC / 1,000VDC					
Strombelastbarkeit:	IEC 60947-7-1	Cu: 232A				
	UL 1059	Cu: 200A, Al: 155A				
Bemessungsquerschnitt:	95mm <sup>2</sup>					
Stoßspannungsfestigkeit:	8kV					
Verschmutzungsgrad:	3					
Überspannungskategorie:	III					
CTI Wert:	550					
Anschlussquerschnitte:	Anzahl Anschlüsse: 4x95mm <sup>2</sup> (Rund & Sektorleiter)			Anzahl Anschlüsse: 4x600kcmil (Rund & Sektorleiter)		
	IEC 60947-7-1			UL1059, CSA-C22.2 No. 158		
	Cu			Cu		Al
		Eindrählig / Mehrdrählig	Feindrählig mit Aderendhülse		Eindrählig / Mehrdrählig	Feindrählig mit Aderendhülse
	95mm <sup>2</sup>	19Nm	-	AWG 3/0	22,6Nm	-
	70mm <sup>2</sup>		19Nm	AWG 2/0		22,6Nm
	50mm <sup>2</sup>			AWG 1/0		
	35mm <sup>2</sup>	14Nm	14Nm	AWG 2	22,6Nm	22,6Nm
	25mm <sup>2</sup>			AWG 4		
	16mm <sup>2</sup>			AWG 6		
10mm <sup>2</sup>	-	-	AWG 8	-	-	
Abisolierlänge	26mm					
Innensechskant	M14 (SW 6mm)					
Messanschlüsse:	Anzahl Anschlüsse: 2x10mm <sup>2</sup> (Rund und Sektorleiter)			Anzahl Anschlüsse: 2xAWG 8 (Rund und Sektorleiter)		
	10mm <sup>2</sup>	1,2Nm	-	AWG 8	2,3Nm	-
	6mm <sup>2</sup>		1,2Nm	AWG 10		2,3Nm
	4mm <sup>2</sup>			AWG 12		
	2,5mm <sup>2</sup>		AWG 14			
	1,5mm <sup>2</sup>	-	-	AWG 16	-	-
Abisolierlänge	10mm					
Schraube	M4 (+/-PZ2)					
Werkstoffe:	Klemmkörper:	Aluminium verzinkt				
	Gehäuse:	PA 6 (Halogenfrei)				
	Schrauben:	Stahl verzinkt				
Flammwidrigkeit:	Selbstverlöschend					
Ausführung:	Fingersicher IP 20 (DIN EN 60529)					

**Desen dimensional: Clemă dublă Al-Cu, 1 p. maro, 95mmp / 70mmp cu pin**

## Tabel articole

Descriere	Cod comandă
<p>Clemă dublă Al-Cu, 1 p. maro, 95mmp / 70mmp cu pin for copper conductors according to IEC 60947-7-1 and UL 1059, CSA-C22.2 No. 158, for aluminum conductors according to IEC IKA21446 61238-1 and UL 1059, CSA-C22.2 No. 158, note maintenance instructions</p>	
<b>Accesorii necesare</b>	
<p>Vaselină de contacte, protecție acid pt cond. de Al tub 200g 200g tub de vaselină de potasiu DIN 51825 K 2 C-40, de ex. pentru acoperirea aluminiului</p>	IKAP0200