

Date tehnice pentru produs: IKA21356--

# Clemă dublă Al-Cu, 1 p. negru, 50mmp / 35mmp cu pin

for copper conductors according to IEC 60947-7-1 and UL 1059, CSA-C22.2 No. 158, for aluminum conductors according to IEC 61238-1 and UL 1059, CSA-C22.2 No. 158, note maintenance instructions



## Schrack Info

- Distribution block for connecting Al and Cu conductors
- 50mm<sup>2</sup> up to 300mm<sup>2</sup> models available
- When using aluminium conductors the common practices for installation must be observed
- Adjust the contact clamps after 6-8 weeks
- Aluminum-terminals for solid round conductors (RE), multi-wire conductors (RM), fine-stranded conductors with end ferrules and also sector conductors (SE and SM)

## Fișe tehnice

Adâncime netă (mm)	40,50
Lățime netă (mm)	20,00
Masă netă (kg.)	0,03
COD EAN	9004840594744
disipare (W)	1,40
Temperatura minimă a mediului ambiant (°C)	-25

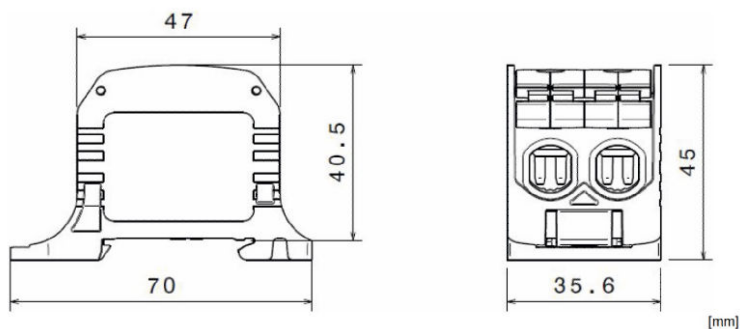
## Fișe tehnice - Continuare

Temperatura maximă a mediului ambiant (°C)	80
Descriere de bază	Clemă

### Tabel de date: Clemă dublă Al-Cu, 1 p. negru, 50mmp / 35mmp cu pin

Vorschriften:	Zulassung nach IEC 60947-7-1, IEC 61238-1 (Klasse A)		
Nennspannung:	1.000VAC/1.000VDC		
Strombelastbarkeit:	150A Geprüft durch SGS Fimko Ltd		
Bemessungsquerschnitt:	50mm <sup>2</sup>		
Stoßspannungsfestigkeit:	8kV		
Verschmutzungsgrad:	3		
Überspannungskategorie:	III		
CTI Wert:	550		
Anschlussquerschnitte:	Anzahl Anschlüsse: 4x50mm <sup>2</sup> (Rund&Sektorleiter)		
	IEC 60947-7-1		IEC 61238-1
	Cu		Al
	Mehrdrähtig	Feindrähtig mit Aderendhülse	Mehrdrähtig
50mm <sup>2</sup>	10Nm	/	14Nm
35mm <sup>2</sup>		10Nm	
25mm <sup>2</sup>	8Nm	8Nm	12Nm
16mm <sup>2</sup>			10Nm
10mm <sup>2</sup>	6Nm	6Nm	/
6mm <sup>2</sup>			
4mm <sup>2</sup>	/		
Abisolierlänge	16mm		
Innensechskant	M10 (SW 5mm)		
Werkstoffe:	Klemmkörper:	Aluminium	verzinkt
	Gehäuse:	PA 6 (Halogenfrei)	
	Schrauben:	Stahl	verzinkt
Flammwidrigkeit:	Selbstverlöschend		
Ausführung	Fingersicher IP 20		

### Desen dimensional: Clemă dublă Al-Cu, 1 p. negru, 50mmp / 35mmp cu pin





## Tabel articole

Descriere	Cod comandă
Clemă dublă Al-Cu, 1 p. negru, 50mm / 35mm cu pin for copper conductors according to IEC 60947-7-1 and UL 1059, CSA-C22.2 No. 158, for aluminum conductors according to IEC IKA21356 61238-1 and UL 1059, CSA-C22.2 No. 158, note maintenance instructions	
<b>Accesorii necesare</b>	
Vaselină de contacte, protecție acid pt cond. de Al tub 200g 200g tub de vaselină de potasiu DIN 51825 K 2 C-40, de ex. pentru acoperirea aluminiului	IKAP0200